

Sensor-switched outdoor light

L 30 S

with motion detector
EAN 4007841 068899
Article number 068899



Außenleuchte

Max. 60 W

Max. 60 W E27



Infrarot-Sensor
180°



Max. Radius 10 m



IP44



2 - 2000 Lux



8 Sek - 35 Min



Schlagfest IK07



Ideal 2 m



Energie sparen

Function description

Modern, anthracite-coloured L 30 S outdoor luminaire for attractive ambient lighting around the house. Designed for E27 light bulbs. With swivelling 180° infrared sensor and adjustable follow-up time (8 seconds to 35 minutes). Body made of UV-resistant plastic. Ideal mounting height: 2 m. Also available without sensor.

Technical specifications

Dimensions (L x W x H)	108 x 122 x 261 mm	Output	15 W
With lamp	No	Mounting height max.	3,00 m
Manufacturer's Warranty	3 years	Sneak-by guard	No
Settings via	Potentiometers	Capability of masking out individual segments	No
With remote control	No	Electronic scalability	No
Version	with motion detector	Mechanical scalability	No
PU1, EAN	4007841068899	Reach, radial	r = 3 m (14 m ²)
Application, place	Outdoors	Reach, tangential	r = 10 m (157 m ²)
Application, room	garden, front door, courtyard & driveway, all round the building, terrace / balcony	Photo-cell controller	Yes
Colour	Anthracite	Cover material	sticker
includes sheet of self-adhesive numbers	No	Base	E27
Installation site	wall	Soft light start	No
Impact resistance	IK07	Twilight setting	2 – 2000 lx
IP-rating	IP44	Time setting	8 s – 35 Min.
Protection class	II	Basic light level function	No
		Twilight setting TEACH	No

Sensor-switched outdoor light

L 30 S

with motion detector
EAN 4007841 068899
Article number 068899

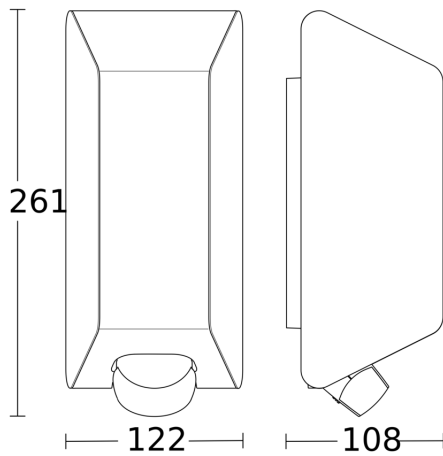


Technical specifications

Ambient temperature	-20 – 40 °C
Housing material	Plastic
Cover material	Plastic, opal
Mains power supply	220 – 240 V / 50 – 60 Hz

Interconnection	No
Optimum mounting height	2 m
Detection angle	180 °

Dimension Drawing



Circuit diagram

